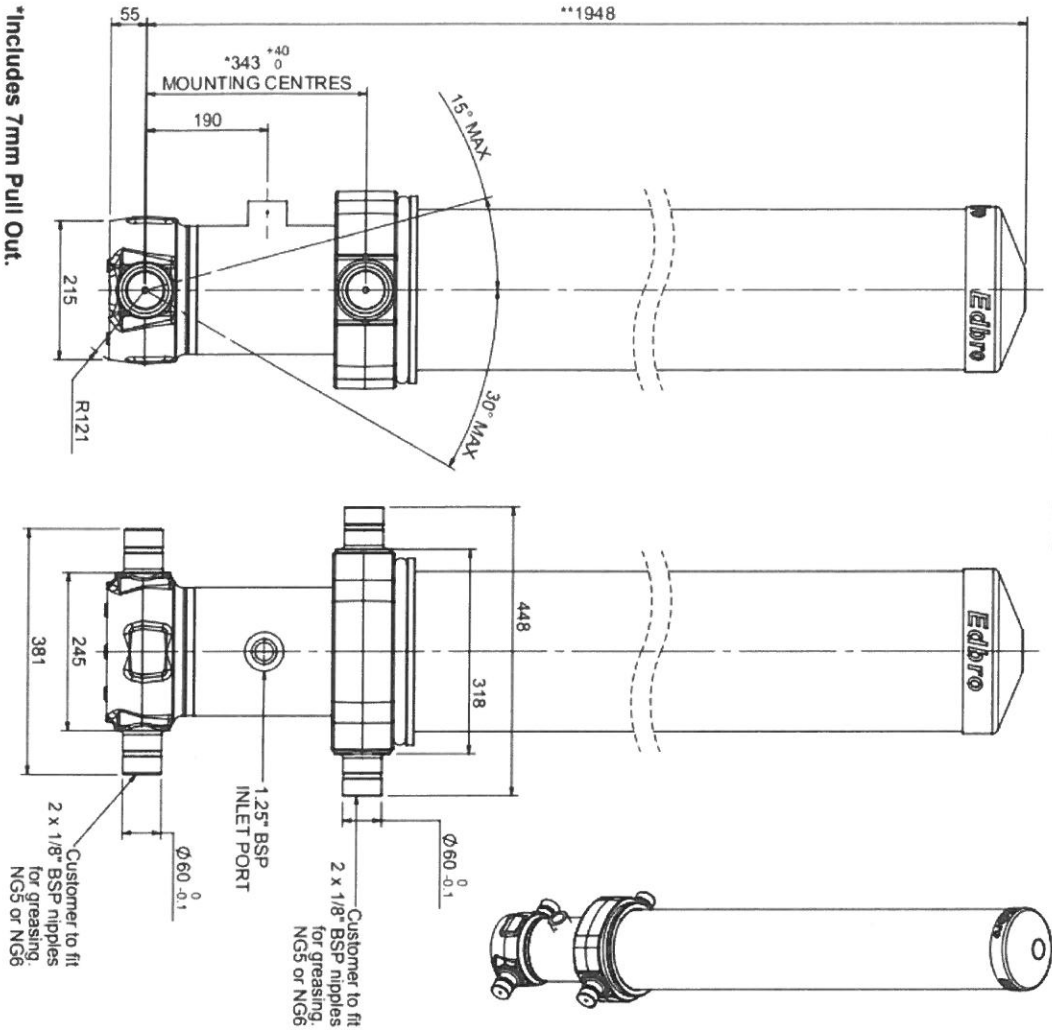


PB CS17L058233B19A11



Cylinder 5 stage front end with outer cover

**ALLOW 50mm TO REMOVE CAP FOR SERVICING

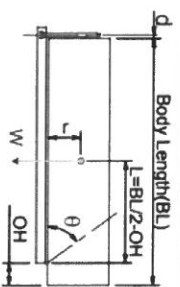


CS17L058233B19A11

SPECIFICATION TIPPING CAPACITY : 32.40 TONNES***

Stage	Diameter	Length	Stroke	Swept Volume
OUTER COVER	248	1570	-	-
0	199	1875	-	-
1	176	1840	1620	39
2	155	1840	1637	31
3	136	1840	1647	24
4	117	1840	1662	18
5	98	1840	1667	13
Total (+s/-10)		8233	125	
Final stroke reduced by	0	Priming Volume	25.3	
Cylinder Mass (Kg)	336	Total Volume (Litres)	150.3	
Maximum Pressure (Bar)	190	Max. first stage thrust	200 KN	

***TIPPING CAPACITY AT WORKING PRESSURE



BODY LENGTH (BL)	OH					
	OH	OH				
10000	10500	11000				
34	48°	33	45°	32	44°	150
37	50°	35	47°	33	45°	450
40	52°	37	49°	35	46°	750

d = 229; r = 900; Working Pressure 150 bar

For guidance only:
Higher working pressures and tipping capacities may be possible.
To check your application email - applications@edbro.co.uk

NOTES

- This cylinder is for lifting purposes only and side load conditions should be avoided
- Cylinder is painted in primer paint to RAL5013
- Refer to www.edbro.com for:
 - Bracket details
 - Installation instructions that must be observed
 - Correct oil selection
 - An explanation of tipping capacity